

Replaceable Cartridge System

Parts Included:



1 - faucet diverter valve with tubing
2 - adapter rings
2 - rubber washers



Overseas Only
1 - universal faucet valve adapter



Housing with faucet

KDF / GAC Filter Cartridge

INSTALLATION

Page 1

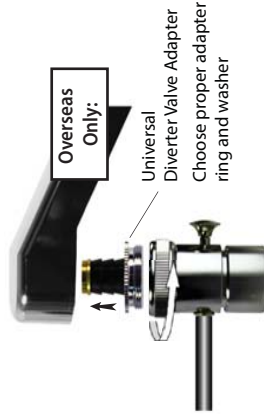
- A. Remove existing aerator from end of faucet.
- B. Connect diverter valve to faucet (see diagram 1).

If an adapter ring is needed, choose proper adapter ring and washer, install them to faucet.

Diagram 1



Diverter Valve



Overseas Only:

Universal Diverter Valve Adapter
Choose proper adapter ring and washer

Install the diverter valve. Diverter valve should be tightened by hand only. Do not use any tools.

- C. Attach the free end of the tubing to the water filter by pushing the tubing into the "quick connect" fitting at the bottom of the unit (make sure tubing is pushed in as far as possible). See diagram 2

Diagram 2

Plastic Quick Connect Fitting

Cut the tube square and push past the O-ring until the tube stops. Tube is secured in position.



To disconnect, push collet ring against body of fitting and slide tube out of fitting.



Collet Ring

- D. Place unit so that the spout is facing towards the sink. Turn on main faucet (cold water only).

Replaceable Cartridge System

Parts Included:



1 - faucet diverter valve with tubing
2 - adapter rings
2 - rubber washers



Overseas Only
1 - universal faucet valve adapter



Housing with faucet

KDF / GAC Filter Cartridge

INSTALLATION

Page 1

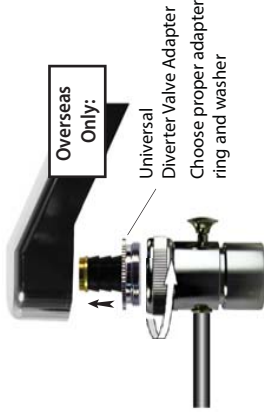
- A. Remove existing aerator from end of faucet.
- B. Connect diverter valve to faucet (see diagram 1).

If an adapter ring is needed, choose proper adapter ring and washer, install them to faucet.

Diagram 1



Diverter Valve



Overseas Only:

Universal Diverter Valve Adapter
Choose proper adapter ring and washer

Install the diverter valve. Diverter valve should be tightened by hand only. Do not use any tools.

- C. Attach the free end of the tubing to the water filter by pushing the tubing into the "quick connect" fitting at the bottom of the unit (make sure tubing is pushed in as far as possible). See diagram 2

Diagram 2

Plastic Quick Connect Fitting

Cut the tube square and push past the O-ring until the tube stops. Tube is secured in position.



To disconnect, push collet ring against body of fitting and slide tube out of fitting.



Collet Ring

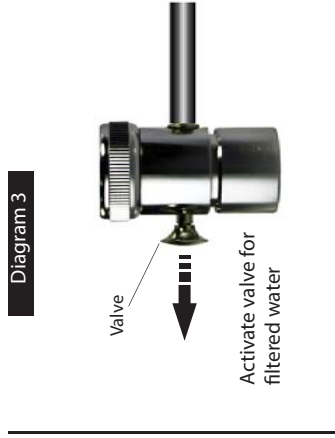
- D. Place unit so that the spout is facing towards the sink. Turn on main faucet (cold water only).

INSTALLATION

Page 2

Maintenance

E. Divert the water flow by activating the valve on the diverter body (see diagram 3). It takes a few seconds before water will flow through the filter and the spout. This will flush away any carbon fines. To ensure that all the trapped air in the unit is released, you may pick up the unit and gently shake it while the water is running.



If you experience a reduction in flow or a change in the taste of the water, it may be time to either replace the prefilter disk or replace the cartridge.

If you experience a reduction in water flow while using the optional sediment prefilter, open the prefilter and rinse out the screen with running water. Do not brush the screen nor use any metallic object to clean it.

CARTRIDGE REPLACEMENT & MAINTENANCE

- Disconnect the tubing from the unit at the fitting.
- While firmly holding the base, twist the housing in the counter-clockwise direction until it separates from the base. Then remove the old cartridge.
- Place the new cartridge inside the housing with the gasket towards the open side of the housing. **Make sure the O-ring is on the housing prior to screwing the base back on.** Discard the old cartridge.
- Screw the base on the housing and tighten until the base is seated on the gasket and O-Ring. An additional 1/4 turn is recommended after the base is seated.
- Repeat steps C through F of the installation instructions.

Recommended Use

This is a bacteriostatic water processor designed to remove contaminants that affect the taste, odor and color of the water.

- Temperature: cold water only (85 F / 29.4 C)
- Municipally treated water
- Maximum Flow: 1/2 to 1 gallon per minute
- Increased flow will reduce the unit's effectiveness.



**KDF® / GAC
Filter Cartridge
5,000 gallon
capacity**

F. Allow water to run until it's clear (5 to 10 minutes). The filter is now ready for use.

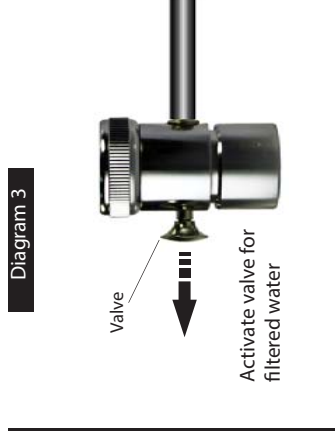
INSTR RCT 2015

INSTALLATION

Page 2

Maintenance

E. Divert the water flow by activating the valve on the diverter body (see diagram 3). It takes a few seconds before water will flow through the filter and the spout. This will flush away any carbon fines. To ensure that all the trapped air in the unit is released, you may pick up the unit and gently shake it while the water is running.



If you experience a reduction in water flow while using the optional sediment prefilter, open the prefilter and rinse out the screen with running water. Do not brush the screen nor use any metallic object to clean.

CARTRIDGE REPLACEMENT & MAINTENANCE

- Disconnect the tubing from the unit at the fitting.
- While firmly holding the base, twist the housing in the counter-clockwise direction until it separates from the base. Then remove the old cartridge.
- Place the new cartridge inside the housing with the gasket towards the open side of the housing. Discard the old cartridge.
- Screw the base on the housing and tighten until the base is seated on the gasket and O-Ring. An additional 1/4 turn is recommended after the base is seated.
- Repeat steps C through F of the installation instructions.

Recommended Use

This is a bacteriostatic water processor designed to remove contaminants that affect the taste, odor and color of the water.

- Temperature: cold water only (85 F / 29.4 C)
- Municipally treated water
- Maximum Flow: 1/2 to 1 gallon per minute
- Increased flow will reduce the unit's effectiveness.



**KDF® / GAC
Filter Cartridge
5,000 gallons
capacity**

F. Allow water to run until it's clear (5 to 10 minutes). The filter is now ready for use.

INSTR RCT 2015